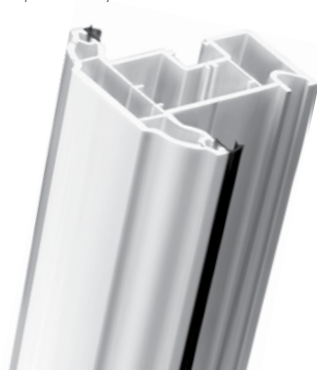




## introduction to the ovolo system

Ovolo is a full suite of sculptured window and door profiles within the Eurologik family. Ovolo is an ideal choice for fabricators and installers wanting to use an up to date co-extruded profile featuring an easy bead system. Presenting a beautifully balanced and aesthetically pleasing finished product, Ovolo has been designed to make your job as easy as possible whether you are a fabricator or an installer. Ovolo is an attractive proposition for you as well as the homeowner, and what follows are 20 reasons to explain why.



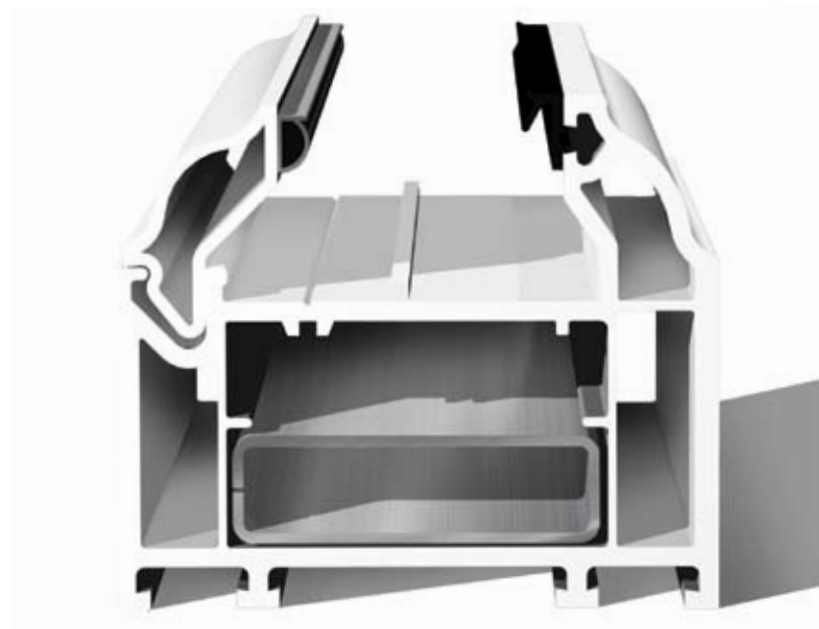
[www.ShropshireDoors.co.uk](http://www.ShropshireDoors.co.uk)  
Tel: 0800 756 5339

**20** good reasons



**1** Unique patented knock-in bead system, available with 28mm Ovolo bead. As simple as a 'J' bead to glaze, but without the disadvantage of the bead falling out during transit before glazing commences.

**2** The Ovolo feature, common throughout the range of profiles, is mirrored by the Ovolo bead.





**3** Easy clean internal rebates, common throughout.

**4** Single hinge and espagnolette location in sashes.



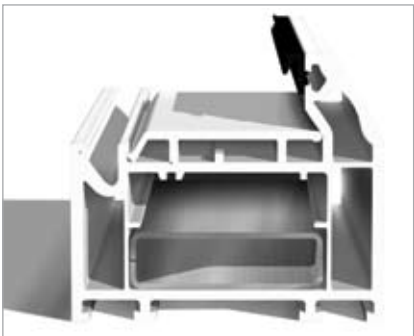


**5** Comprehensive range of ancillaries, including cills, angles, bay posts, extensions and adaptors.

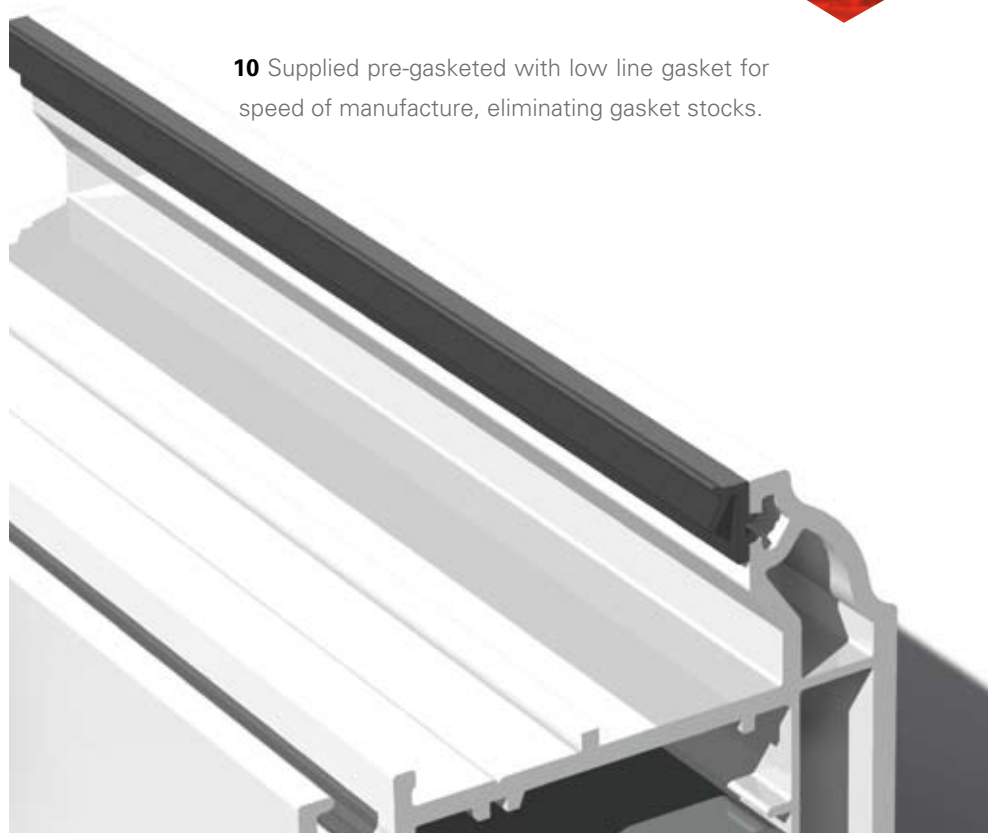


**6** Full depth eurogroove for maximum hardware compatibility.





**9** Clip in starter packer available, suits all frames.



**10** Supplied pre-gasketed with low line gasket for speed of manufacture, eliminating gasket stocks.



**11** Rosewood and Golden Oak woodgrain foil finishes available, woodgrain on white profile also available.



**12** Common glass sizes for internal / external glaze doors.



**13** Friction hinges positively located between two faces on main frames, transoms and mullions helping to improve performance on BS7950, awarded for enhanced security.

**14** All friction hinge fixings screw positively into flat faces on the reinforcement.





**15** Equal 'V' notching gives an internally beaded window the appearance of an externally beaded window when reverse butt-welded.

[www.ShropshireDoors.co.uk](http://www.ShropshireDoors.co.uk)  
Tel: 0800 756 5339



**16** Integral capillary groove on all inward open frames.





**19** Range of mouldings allowing welded or mechanically jointed mock sashes to be produced, the mouldings also allow the use of a shoot bolt locking mechanism.

**20** Ovolo profiled moulded arched top inserts that perfectly continue the Ovolo shape around the arch.

